

# Stanilite®

## Nexus® LX router/repeater



### Range

Non-standard range

### Product group

Nexus LX components

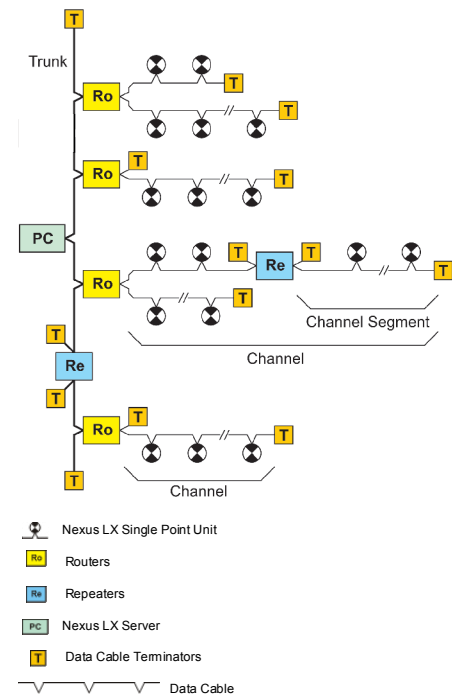


### Features

- Connects the branch channel to the main trunk and selectively transfers data between them
- Two data ports (internal switchable terminators)
- Two power sockets
- Two terminator switches
- Supplied with plug pack power supply, two data cable connector plugs, DC power jumper lead and two external data cable terminators

Catalogue no.	Description
<b>Nexus products</b>	
HXSROUT	Nexus router/repeater TP-78 to TP-78 (TP-78 to TP-78 transceiver)
HXSROUT/2	Nexus router/repeater TP-78 to FTT-10A (TP-78 to FTT-10A transceiver)

### Basic network diagram



Note: All cabling is done in a 'daisy chain' configuration

Model	Power connection
HXSROUT/ HXSROUT/2	Router is supplied with a 12VDC output plug power supply. The DC power plug should be connected to the power socket marked as "loop in". When a number of routers are installed in the one spot they can be supplied from the one power supply. Up to 5 routers can be supplied in this way. Use the power jumper lead supplied with each router to connect "loop out" to "loop in" for successive routers.

Note:  
- Designed to comply with AS2293 and meet relevant Australian EMC standards

---

ABB Australia Pty Limited  
Phone: 1800 60 20 20  
E-mail: AU-ABB-Stanilite@abb.com

**[www.stanilite.com.au](http://www.stanilite.com.au)**

---

We reserve the right to make technical changes or modify the contents of this document without prior notice. With regard to purchase orders, the agreed particulars shall prevail. ABB does not accept any responsibility whatsoever for potential errors or possible lack of information in this document.

We reserve all rights in this document and in the subject matter and illustrations contained therein. Any reproduction, disclosure to third parties or utilisation of its contents – in whole or in parts – is forbidden without prior written consent of ABB.  
Copyright © 2019 ABB  
All rights reserved